

Cordless Roman Shade Installation Instructions

Content				
Shade Size	Shade (a)	Bracket (b)	Bracket Screw (c)	Wall Anchor (d)
27in. x 64in.	1	2	4	4
31in. x 64in.	1	2	4	4
33in. x 64in.	1	2	4	4
35in. x 64in.	1	2	4	4
39in. x 64in.	1	2	4	4

Step 1 – Checklist

You will need the following tools:

- Drill
- Small Level
- Pencil
- Light Weight Hammer
- Step Ladder
- Screwdriver
- Tape Measure

Step 2 – Mounting Brackets

The Roman Shade (a) can be mounted two ways; either Inside (Ceiling Mount) or Outside (Wall Mount) of your window frame using the provided Brackets (b). You will need to leave 3-5 inches of space from the ends of the Headrail (e) to properly mount the Brackets. ALWAYS use the Wall Anchors (d) if you are mounting the brackets onto dry wall.

Using a 13/64 drill bit, drill a hole for the bracket screws.

With a light weight hammer, insert the anchors until flush with the surface.



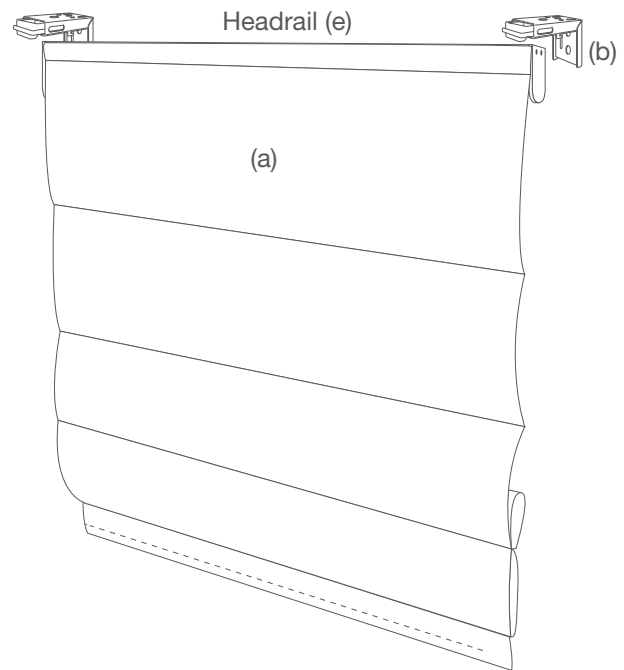
Mounting Outside the Window Frame (Wall)

Fix the Brackets (b) on the wall outside and above the window frame. Ensure that the Brackets are moved in 3-5 inches from the sides of the window frame. Then place the Bracket Screws (c) through holes on the back plate of the Bracket and tighten until securely fastened to the wall.



Mounting inside the Window Frame (Ceiling)

Follow the same instructions as above to install the wall anchor, then place the bracket over the anchor insert the screw and fasten



Step 3 – Fitting the Shade & Securing the Headrail



For easier fitting, detach the Roman Shade (a) from the hook and loop fastener on the front of the Headrail (e).

**Top fabric face is detachable, but not fully removable.*

Place the Headrail (e) onto the Brackets (b) by inserting the back side of the Headrail (d) on first and then pushing the front side upward until it snaps into place. There should be an audible click, when the Headrail is secured.



Once secured, reattach the Roman Shade (a) to the hook and loop fastener on the front of the Headrail (e).

Step 4 – Operation of Your Shade

To lower the shade:

Pull the handle, on the back, to lower down the shade until the desired height. Pull the handle again to hold the shade in place.



To raise the shade:

Pull the handle, on the back, twice to release the shade. Lift to the desired height then pull the handle again to hold the shade in place.



Step 5 – Maintaining Your Shade

Dust your shades with a soft clean cloth or a feather duster. Lower the shade to its fullest length for a complete cleaning. You can also detach the shade from the bar, with the hook and loop fastener and lightly shake for a simple cleaning.

**Top fabric face is detachable, but not fully removable.*